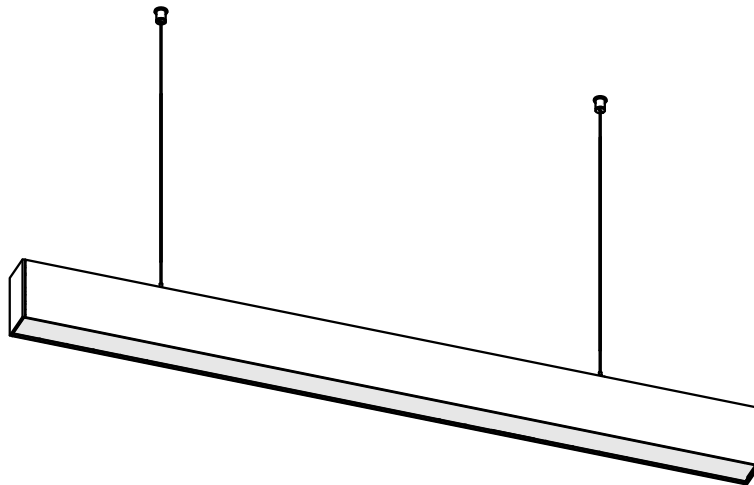
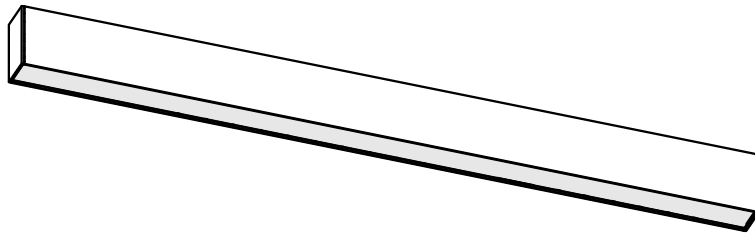
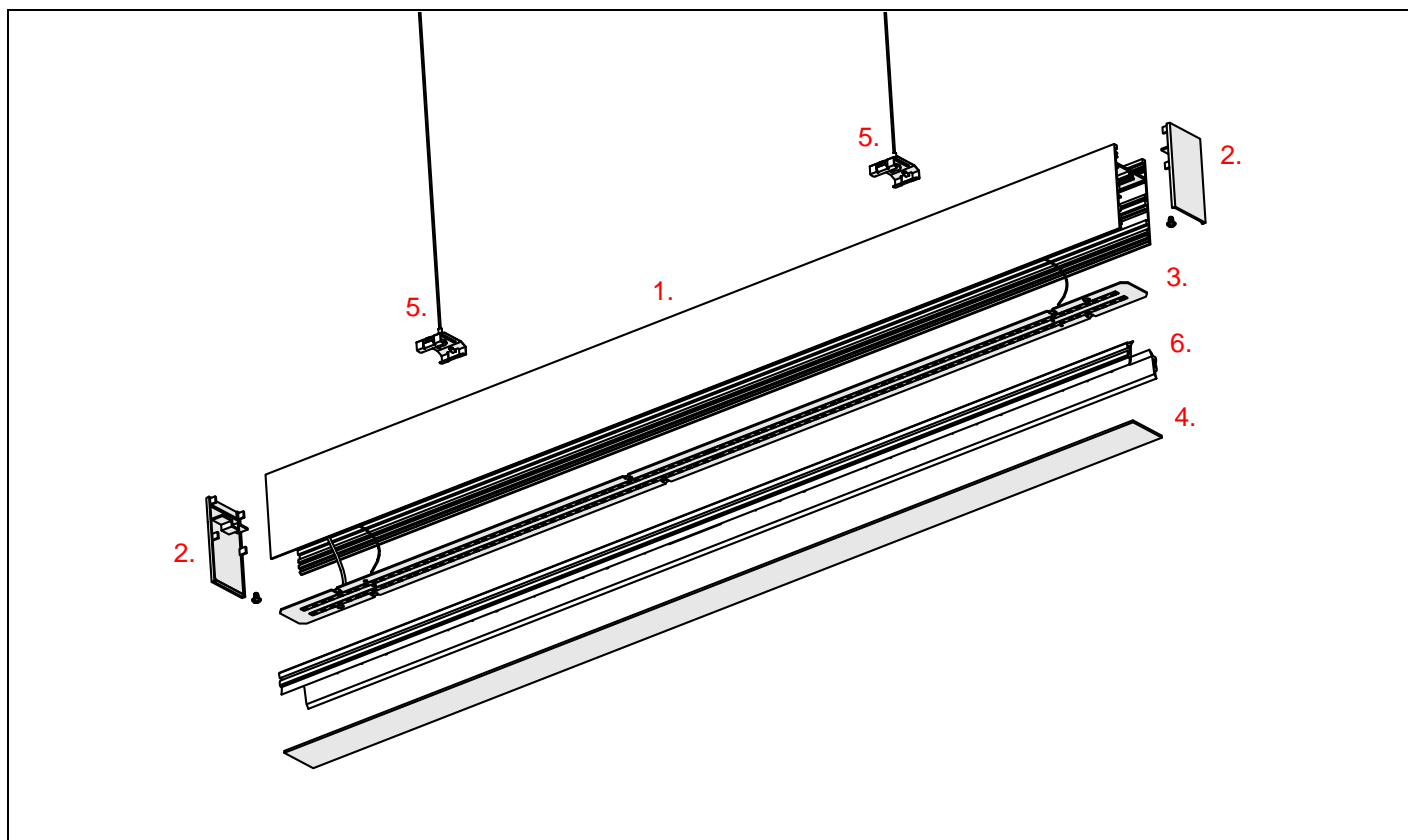
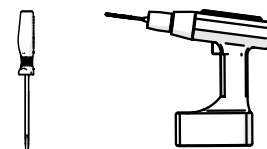
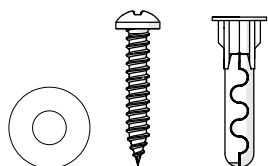


SERPENT-L





DOES NOT INCLUDE



- 1. Lighting fixture casing*
- 2. End cap set*
- 3. LED mounting plate*
- 4. Cover*
- 5. Mechanical suspension set*
- 6. Reflector REFLEX*

*The full range of accessories and electronics is available at www.KlusDesign.eu

NOTE! Screws and mounting dowels should be selected according to the type of surface. If the unevenness of the ceiling does not allow for precise adjustment of the fixture in order to avoid gaps, we recommend apply silicone the connections of the individual modules.

IMPORTANT: Not all possible mounting procedures are presented here. More mounting procedures and related accessories can be found at www.KlusDesign.eu. Drawings in these instructions are simplified and only approximate the actual shapes.

